

THE MEASURABLE DIFFERENCE.



DEWETRON

▼

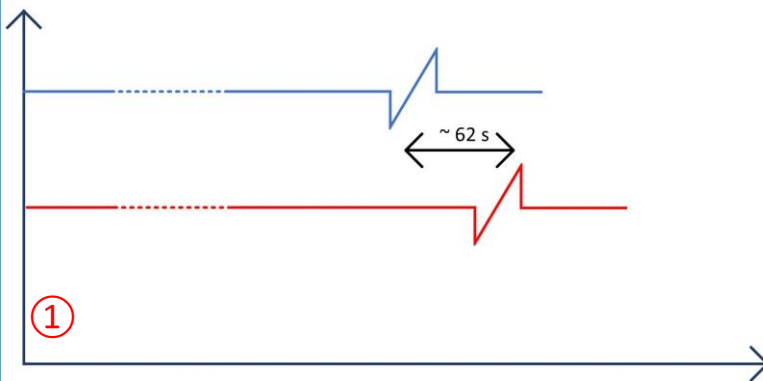
OXYGEN TRAINING > SYNCHRONIZATION





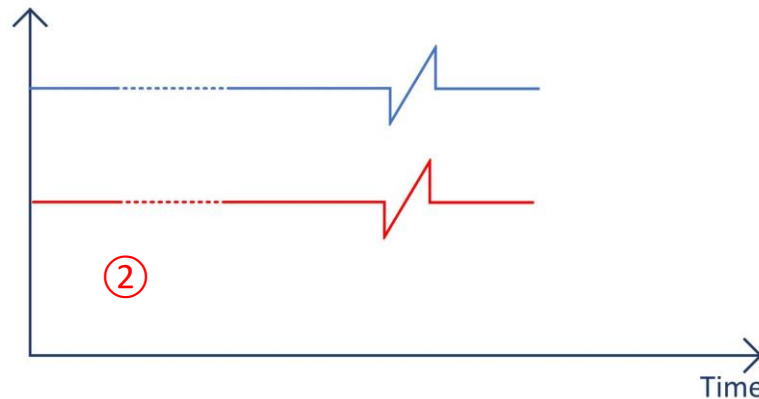
SYNCHRONIZATION – WHY?

- ① No Synchronization:
 - System A has a timing error of +39ppm
 - System B has a timing error of +15ppm
 - Both systems start data recording at the same time
 - After one month of continuous recording, there is a time shift of ~62 seconds between both systems:



$$30_{\text{days}} * 24_{\text{hours}} * 3600_{\text{sec}} * (0.000039_{\text{ppm}} - 0.000015_{\text{ppm}}) = 62.2 \text{ sec}$$

- ② Synchronization avoids this problem
 - If system A is the SYNC master and system B is synced as slave to it, both systems will run with an error of 39 ppm
 - The difference will be 0 ppm even after one month



SYNCHRONIZATION – TYPE OVERVIEW



DEWETRON

External Sync Input	TRION-BASE	TRION-TIMING	TRION-VGPS
IRIG A DC	☒	✓	✓
IRIG B DC	✓	✓	✓
IRIG A AC	☒	✓	✓
IRIG B AC	☒	✓	✓
PTP	☒	✓	✓
GPS	☒	✓	✓
PPS	✓	✓	✓

Sync Type	Accuracy	Absolute Time	Max. Distance	Cable Type	Recommended for
TRION Sync	$\pm 60 \text{ ns} \pm 5 \text{ ns/m}$	☒	100 m	RJ45 CAT VI	medium distance; low jitter; use between DEWE2 chassis
PTP Slave	$\pm 100 \text{ ns} \pm 5 \text{ ns/m}$	✓	100 m	RJ45	Medium distance, sync with 3 rd party hardware
GPS	$\pm 300 \text{ ns}$	✓	-	-	highest distance; use when cable connection is impossible
IRIG-A/B	$\pm 2 \mu\text{s} \pm 5 \text{ ns/m}$	✓	50 m	RG58	medium distance; use with existing IRIG installation
PPS	$\pm 2 \mu\text{s} \pm 5 \text{ ns/m}$	☒	10 m	RG58	low distance

Device	Mode	Clock Accuracy
TRION-SYNC-BUS	Stand alone, no timing board	50 ppm
	DEWE2 Sync In	Depending on master system
TRION-TIMING	Internal clock	10 ppm
	GPS locked	$\ll 1 \text{ ppm}$
	IRIG locked	Depending on IRIG source accuracy
	PPS locked	Depending on PPS source accuracy
	PTP locked	Depending on PTP source accuracy

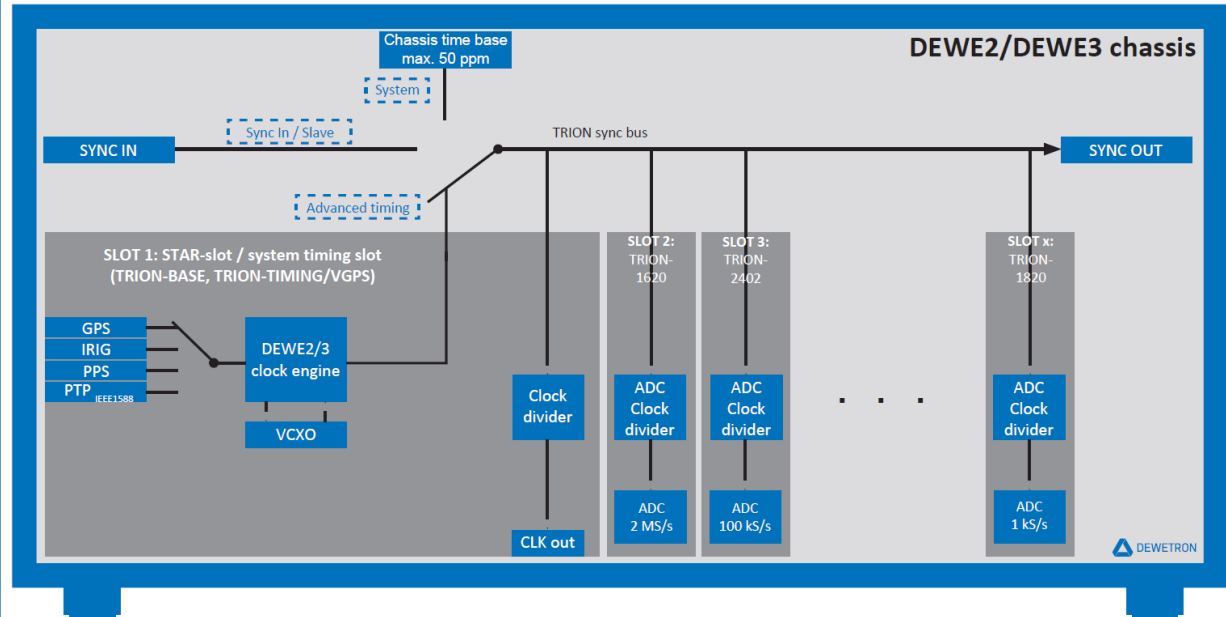
SYNCHRONIZATION – TYPE OVERVIEW



DEWETRON

© DEWETRON GmbH | July 23

All DEWE2 systems have internally the same clock structure, independent on the amount of slots. The heart of it is the TRION Sync Bus that is connected to every slot of the chassis. The Timing Source for the bus can be the internal time base of the chassis or another DEWE2 System by using the Sync In connector. In case a Timing board is installed in the first Slot (Star * Slot), the TRION Sync Bus can be synchronized to almost every external time source. All cards generate their AD clocks out of the TRION Sync Bus signals separately. That allows different Sample rates settings at board level while still being precisely synchronized





OXYGEN - SYNC SETUP

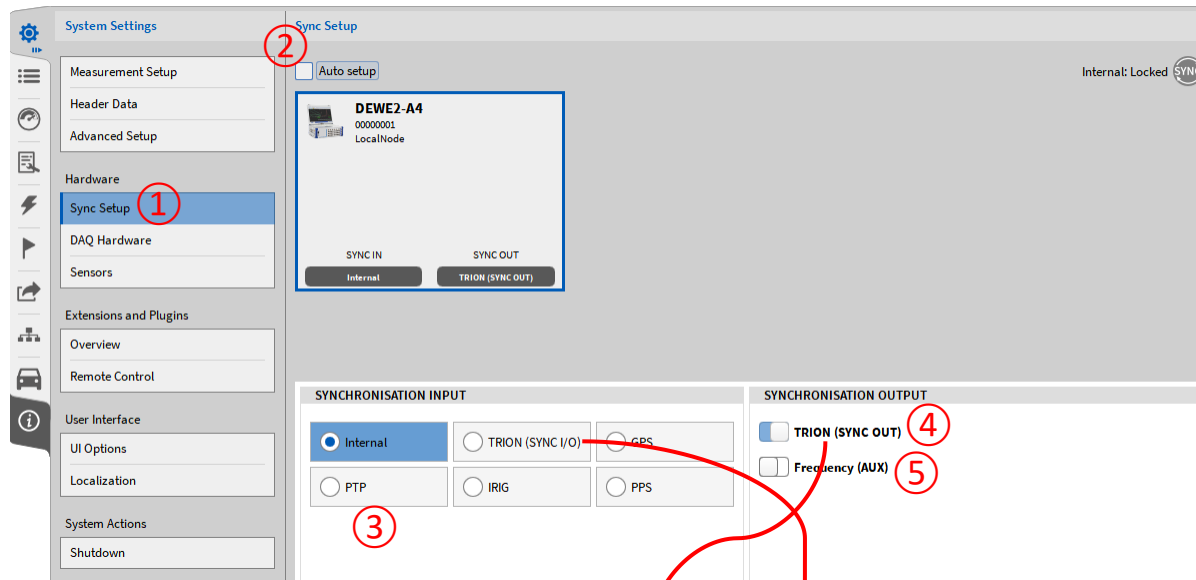
① Open The *System Settings* and navigate to *Sync Setup* tab

② Uncheck the *Auto Setup* to edit the *Synchronization Input* (③) settings

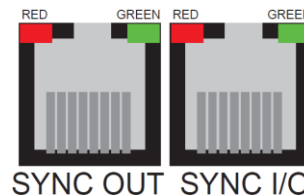
③ Select the proper Synchronization source (selection depending on availability and TRION board in first slot)

④ Sync signal is output via TRION-SYNC-OUT connector (always enabled)

⑤ TTL signal output (i.e. to trigger GigE cameras) (availability depending on TRION board in first slot)



Auto Setup denotes *TRION (SYNC I/O)* as source if signal connected to *SYNC I/O* plug and *Internal* otherwise





DEWETRON

© DEWETRON GmbH | July 23

OXYGEN - SYNC OPTIONS OF DIFFERENT SYNC SOURCES

- ① *Internal* → No further options
- ② *SYNC I/O* → No further options
- ③ *GPS* → Specify a correction limit between 10 ns and 500 ms
- ④ *PTP* → Specify a correction limit between 10 ns and 500 ms, Specify the proper delay mechanism and protocol type
- ⑤ *IRIG* → Specify a correction limit between 10 ns and 500 ms and the proper IRIG code
- ⑥ *PPS* → Specify a correction limit between 10 ns and 500 ms and optionally invert received signal

SYNCHRONISATION INPUT

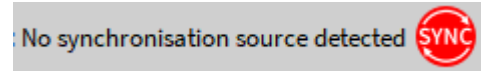
Internal ① TRION (SYNC I/O) ② GPS ③

PTP IRIG PPS

CorrLimit ms



→ Locked when *Internal* is used



→ NO correct sync signal received by HW



→ Sync signal received but not synchronized yet



→ Sync signal received and sync'd

SYNCHRONISATION INPUT

Internal TRION (SYNC I/O) GPS

PTP ④ IRIG PPS

CorrLimit ms

DelayMechanism

Protocol

SYNCHRONISATION INPUT

Internal TRION (SYNC I/O) GPS

PTP IRIG ⑤ PPS

CorrLimit ms

IrigCode

SYNCHRONISATION INPUT

Internal TRION (SYNC I/O) GPS

PTP IRIG PPS ⑥

CorrLimit ms

InvertedInput



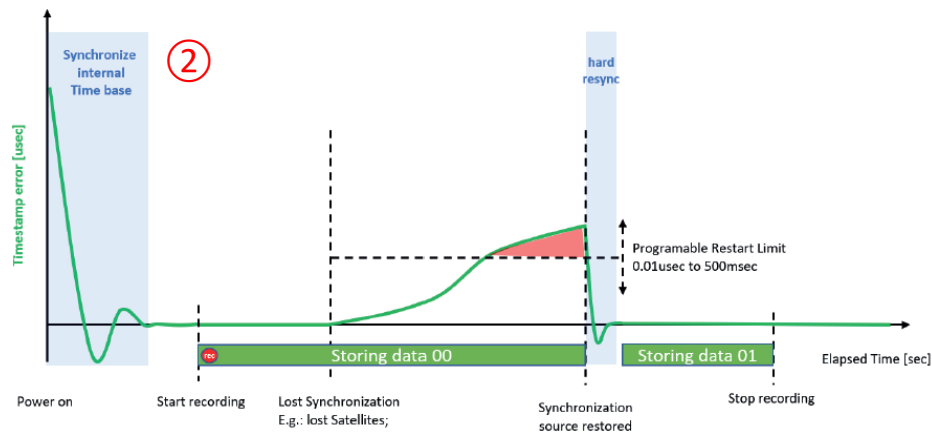
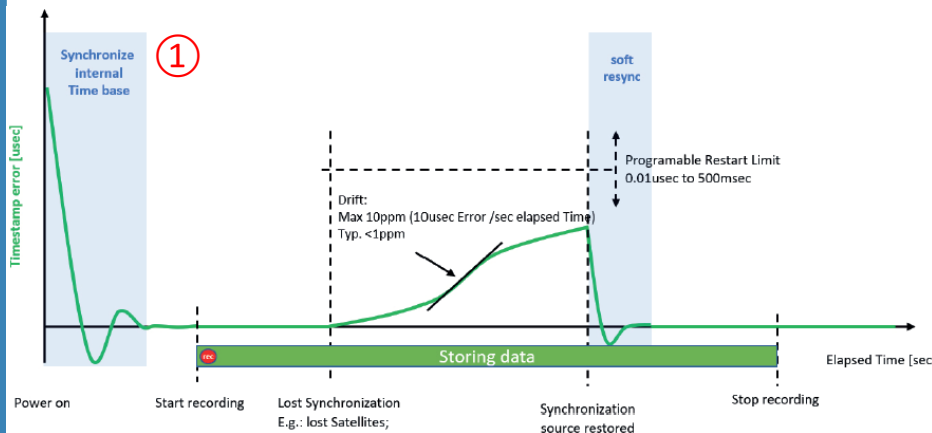
SYNCHRONIZATION – SYNC LOST DURING RECORDING

The TRION-TIMING-V3 is designed for continuously measuring data, even if the external time base is temporary not available. Especially in GPS mode that could easily happen. In that case the TRION-TIMING-V3 generates a notifying event and continues measuring on its internal time base. This internal time base has been adjusted to the external reference while the sync was stable.

That minimizes the drift in free-run mode. (Typically far below 1 ppm). Only when the environmental conditions change dramatically during a longer non-synced period of time, it might go up to a maximum of 10 ppm.

When the synchronization has established again the TRION-TIMING checks if the internal time base error is still below the pre-programmed restart limit.

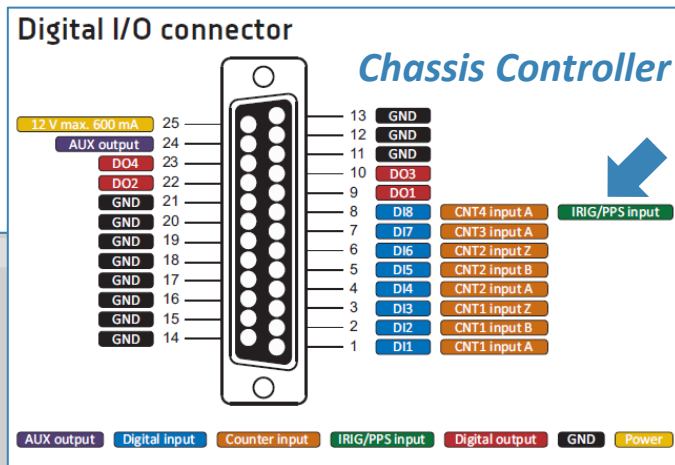
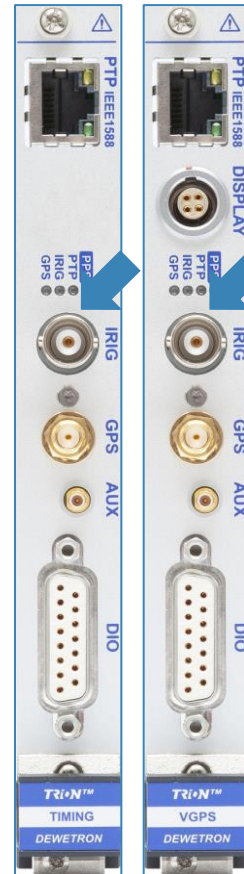
- > ① If yes, it starts resyncing by slightly changing the time-base until the time stamps matches again exactly. That prevents from gaps in the data file due to resync. That might take a while because the maximum readjusting speed is 100 ppm.
- > ② If for some reason a hard resync is needed the restart limit could be set to a low value. In that case the datafile will be interrupted.





DEWETRON

© DEWETRON GmbH | July 23



IRIG MASTER

- > Option to output IRIG B DC signal
- > TRION-TIMING-V3, -VGPS-V3 or Chassis Controller required

Measurement Settings

Sync Setup

Auto setup

DEWE2-A4
00000001
LocalNode

SYNC IN SYNC OUT

Internal TRION (SYNC OUT) IRIG

SYNCHRONISATION INPUT

Internal TRION (SYNC I/O) GPS

PTP IRIG PPS

SYNCHRONISATION OUTPUT

Connector: "SYNC"

TRION (SYNC OUT)

Connector: "AUX"

None Frequency (AUX)

Connector: "IRIG/BNC"

None IRIG

IrigCode Code_DC

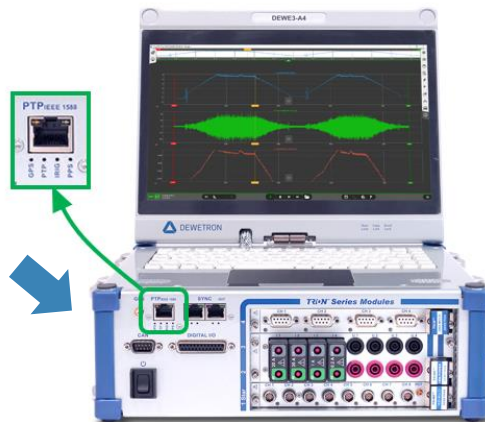


DEWETRON

PTP MASTER

- > Option to output PTP IEEE1588 signal
- > Option available for chassis controller
- > License option: no hardware changes necessary to activate PTP Master Out option

Chassis Controller



SYNCHRONISATION OUTPUT

Connector: "SYNC"
 TRION (SYNC OUT)

Connector: "AUX"
 None Frequency (AUX) IRIG

Connector: "ETH"
 None PTP

DelayMechanism
_End To End

Protocol
_UDP_IPv4

Option available when licensed